

## Product Card

1-gang 2-way push switch, Jussi IP44, N-terminal, lamp not included



# Push switch

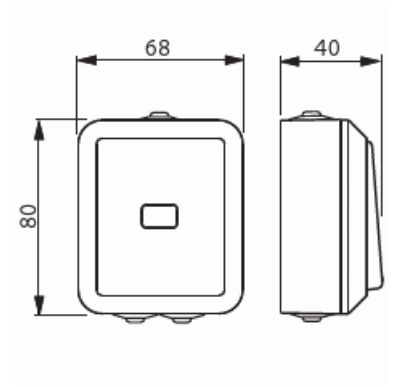
1-gang 2-way push switch, Jussi IP44, N-terminal, lamp not included

**Type:** 1466SW

**GTIN:** 6418677334573



Surface mounting push switch with screwless terminals. The terminals are for max 2 rigid wires. Delivered with white and clear lens but without lamp.



## Technical specification

### General Information

Product ID: 2TKA000238G1

### Electrical quantities

Rated current: 10 A

Rated voltage: 250 V

### Classification

Enclosure class: IP44

# Product Card

1-gang 2-way push switch, Jussi IP44, N-terminal, lamp not included



## Packing

Package:	10/100
Unit:	PCS

## ETIM Data

Assembly arrangement:	Basic element with complete housing
Model:	Single push button
Method of operation:	Push button
Number of contacts as normally open contact:	2
Number of rockers:	1
Nominal voltage:	250 V
Rated current:	10 A
With lighting:	No
Feedback-signal contact:	No
Connection type:	Push-in clamp
Mounting method:	Other
Type of fastening:	Screw mounting
Material:	Plastic
Material quality:	Thermoplastic
Halogen free:	Yes
Anti-bacterial treatment:	No
Surface protection:	Untreated
Surface finishing:	Glossy
Colour:	White
RAL-number (similar):	9010
Transparent:	No
Label space/information surface:	No
Imprint:	None
Suitable for degree of protection (IP):	IP44
Device width:	68 mm
Device height:	43 mm
Device depth:	80 mm