

## Product Card

1-gang 2-way switch, Jussi IP44, 2 X-terminals, lamp not included



# Switch

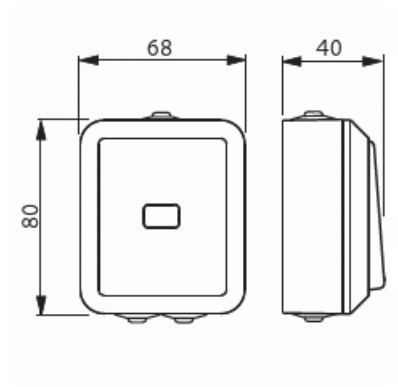
1-gang 2-way switch, Jussi IP44, 2 X-terminals, lamp not included

**Type:** 1066SW

**GTIN:** 6418677334559



Surface mounting switch with screwless terminals. The terminals are for max 2 rigid wires. X-terminals are for extending the wires. Delivered with white and clear lens but without lamp.



## Technical specification

### General Information

Product ID: 2TKA000192G1

### Electrical quantities

Rated current: 16 AX

Rated voltage: 250 V

### Classification

Enclosure class: IP44

# Product Card

1-gang 2-way switch, Jussi IP44, 2 X-terminals, lamp not included



## Packing

Package:	10/100
Unit:	PCS

## ETIM Data

Wiring system:	Two-way switch
Method of operation:	Rocker/button
Assembly arrangement:	Basic element with complete housing
Push button switch:	No
Number of rockers:	1
Mounting method:	Surface mounted (plaster)
Type of fastening:	Screw mounting
With mounting plate:	No
Material:	Plastic
Material quality:	Other
Halogen free:	Yes
Surface protection:	Untreated
Surface finishing:	Matt
Colour:	White
RAL-number (similar):	9010
Label space/information surface:	No
Illumination:	No
Suitable for degree of protection (IP):	IP21
Nominal voltage:	250 V
Rated current:	16 A
Switching current for fluorescent lamps:	16 AX
Feedback-signal contact:	No
Connection type:	Push-in clamp
Washing machine switch:	No
Device width:	68 mm
Device height:	43 mm
Device depth:	80 mm