

Product Card

Junction box IP20, white, 60 x 60 mm



Junction box IP20

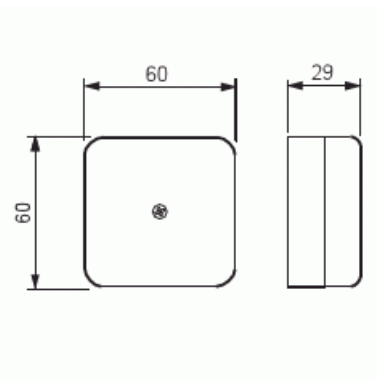
Junction box IP20, white, 60 x 60 mm

Type: AP6

GTIN: 6410016020062



The AP6 square junction box is spacious and easy to wire. The box is equipped with an insulated 5-way connector. The transparent wire connector makes it easy to ensure sufficient wire depth. The maximum wire capacity per connector is 4 x 2,5 mm² or 6 x 1,5 mm². The box has 6 knock-outs, 2 of which are in the bottom. Made of halogen free material (IEC/61249-2-21).



Technical specification

General Information

Product ID: 2TKA140006G1

Classification

Enclosure class: IP20

Electrical quantities

Rated voltage: 400 V

Dimensions

Weight: 42 g

For conductor: 2.5 mm²

Product Card

Junction box IP20, white, 60 x 60 mm



Colors

Colour:	White
Colour code:	RAL9003

Packing

Package:	10/100
Unit:	PCS

ETIM Data

Max. conductor cross section:	2.5 mm ²
Shape:	Square
Mounting method:	Universal
Mounting in the soil:	No
Mounting under water:	No
Inlet from the rear:	Yes
Length:	60 mm
Width:	60 mm
Depth:	60 mm
Tackable:	No
Number of inlets:	8
Material:	Plastic
Halogen free:	Yes
Surface protection:	Untreated
Colour:	White
Degree of protection (IP):	IP20
Cover model:	Blind cover
Transparent cover:	No
Cover attachment:	Screwed
Castable:	No
With casting compound:	No
Sealable:	No
Rated insulation voltage Ui:	230 V
With screening:	No

Product Card

Junction box IP20, white, 60 x 60 mm



Weatherproof:	No
Operating temperature:	-15 °C
Explosion-tested version:	No