

Product Card

Center plate, Impressivo, 2 x RJ45, dust covers, white



Center plate

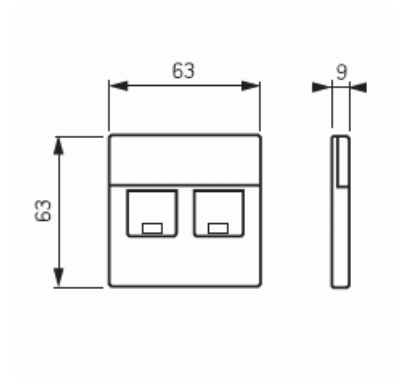
Center plate, Impressivo, 2 x RJ45, dust covers, white

Type: 1819DC-84

GTIN: 6438199002835



Center plate for the RJ45 inserts 1819.xx. It is suitable for the 85mm cover frames and with the 2519-xx adapter also for the 100mm cover frames. Manufactured from a durable high quality plastic material. The surface is glossy and easy to keep clean. Cleaning with a mild, standard household detergent. Be careful when cleaning with a powerful dissolvent.



Technical specification

General Information

Product ID:	2TKA00001111
-------------	--------------

Packing

Package:	1/10/100/2800
Unit:	PCS

ETIM Data

Assembly arrangement:	Central cover plate
Utilization:	Modular Jack
Support ring:	No
With dust cover:	Yes

Product Card

Center plate, Impressivo, 2 x RJ45, dust covers, white



With hinged lid:	No
Outlet direction:	Straight
Imprintable label:	Imprintable label snap-in in intermediate ring
With imprint:	No
Mounting method:	Flush mounted (plaster)
Material:	Plastic
Material quality:	Thermoplastic
Halogen free:	Yes
Surface protection:	Untreated
Surface finishing:	Glossy
Colour:	White
RAL-number (similar):	9016
Transparent:	No
Type of fastening:	Mounting with screw
Suitable for number of connectors:	2
With strain relief:	No
Luster terminal:	No
Suitable for degree of protection (IP):	IP20
Impact strength:	IK00
Device width:	63 mm
Device height:	63 mm
Device depth:	10 mm