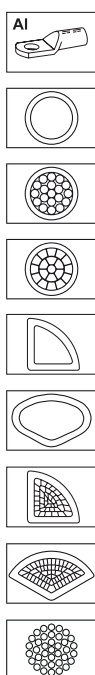
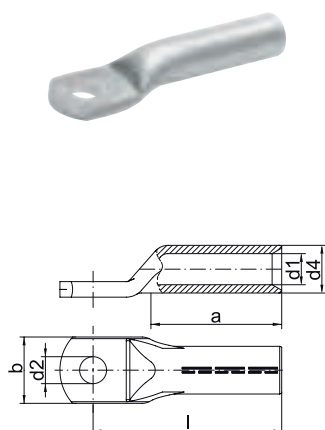




### Compression cable lugs, Al



- ▶ For non-tension connections of aluminium conductors to DIN EN 60228 and aluminium cables to DIN EN 50182
- ▶ For pre-rounded sector shaped conductors
- ▶ Tube dimension to DIN 46329
- ▶ With code number for clear tool assignment
- ▶ Filled with contact grease for optimum crimp characteristics

#### Characteristics

- Easy to process due to crimp markings
- Simple and safe connection due to flat contact surfaces and internal chamfer

#### Material

- E-aluminium

#### Surface

- Bright

#### Technical instructions

- Tool: see page 103

#### Additional information

- re = round single solid wire, rm = round multi-stranded, se = sector shaped single solid wire, sm = sector shaped multi-stranded, sector shaped conductors must be pre-rounded
- 16 - 400 mm<sup>2</sup> IEC-tested

Size of bolt dia.	Part No.	Nominal cross section mm <sup>2</sup>		Code	Dimension mm						Number of crimps		Weight 100 pcs. ~kg	Packing unit/pcs
		rm/sm	re/se		a	b	d1	d2	d4	l	Al (7 mm)	Al (wide)		
M 6	<b>202R6</b>	10	25	10	32	16	5.0	6.5	10	52	4	2	0.86	25
M 8	<b>202R8</b>	10	25	10	32	18	5.0	8.5	10	52	4	2	0.88	25
	<b>203R8</b>	16	25	12	32	18	5.8	8.5	12	52	4	2	1.37	10
M 10	<b>203R10</b>	16	25	12	32	18	5.8	10.5	12	52	4	2	1.39	10
M 8	<b>204R8</b>	25	35	12	38	18	6.8	8.5	12	60	4	2	1.41	10
M 10	<b>204R10</b>	25	35	12	38	18	6.8	10.5	12	60	4	2	1.46	10
	<b>205R10</b>	35	50	14	42	21	8.0	10.5	14	67	5	2	2.08	10
M 12	<b>205R12</b>	35	50	14	42	21	8.0	13.0	14	67	5	2	2.05	10
M 10	<b>206R10</b>	50	70	16	45	25	9.8	10.5	16	72	5	2	2.68	10
M 12	<b>206R12</b>	50	70	16	45	25	9.8	13.0	16	72	5	2	2.73	10
M 10	<b>207R10</b>	70	95	18	55	28	11.2	10.5	18.5	86	6	3	4.42	10
M 12	<b>207R12</b>	70	95	18	55	28	11.2	13.0	18.5	86	6	3	4.27	10
M 10	<b>208R10</b>	95	120	22	55	32	13.2	10.5	22	90	6	3	7.40	4
M 12	<b>208R12</b>	95	120	22	55	32	13.2	13.0	22	90	6	3	7.50	4
M 16	<b>208R16</b>	95	120	22	55	34	13.2	17.0	22	90	6	3	7.30	4
M 12	<b>209R12</b>	120	150	22	55	32	14.7	13.0	23	91	6	3	6.68	4
M 16	<b>209R16</b>	120	150	22	55	34	14.7	17.0	23	91	6	3	6.41	4
M 12	<b>210R12</b>	150	185	25	63	35	16.3	13.0	25	103	6	3	9.64	4
M 16	<b>210R16</b>	150	185	25	63	35	16.3	17.0	25	103	6	3	9.24	4
M 20	<b>210R20</b>	150	185	25	63	41	16.3	21.0	25	103	6	3	9.40	4
M 12	<b>211R12</b>	185	240	28	65	40	18.3	13.0	28	106	6	3	12.61	1
M 16	<b>211R16</b>	185	240	28	65	40	18.3	17.0	28	106	6	3	11.92	1
M 20	<b>211R20</b>	185	240	28	65	40	18.3	21.0	28	106	6	3	13.10	1
M 12	<b>212R12</b>	240	300	32	70	45	21.0	13.0	32	116	8	3	18.30	1
M 16	<b>212R16</b>	240	300	32	70	45	21.0	17.0	32	116	8	3	17.60	1
M 20	<b>212R20</b>	240	300	32	70	45	21.0	21.0	32	116	8	3	17.30	1
M 16	<b>213R16</b>	300	--	34	75	49	23.3	17.0	34	124	8	3	17.50	1
M 20	<b>213R20</b>	300	--	34	75	49	23.3	21.0	34	124	8	3	17.30	1
M 16	<b>214R16</b>	400	--	38	95	58	26.0	17.0	38.5	165	--	4	32.20	1
M 20	<b>214R20</b>	400	--	38	95	58	26.0	21.0	38.5	165	--	4	31.90	1