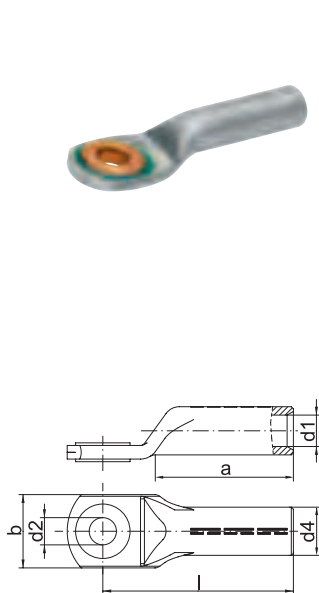


Compression cable lugs, Al/Cu

Size of bolt dia.	Part No.	Nominal cross section mm ²		Code	Dimension mm						Number of crimps		Weight 100 St. ~kg Cu	Weight 100 St. ~kg total	Packing unit/pcs
		rm/sm	re/se		a	b	d1	d2	d4	l	Al (7 mm)	Al (wide)			
M 20	371R20	185	240	28	60	35	18.3	21.0	28.5	107.5	6	3	10.1	18.4	5
M 10	372R10	240	300	32	70	35	21.0	10.5	32	118.5	8	3	12.1	22.5	5
M 12	372R12	240	300	32	70	35	21.0	13.0	32	118.5	8	3	11.8	22.2	5
M 16	372R16	240	300	32	70	35	21.0	17.0	32	118.5	8	3	11.0	21.4	5
M 20	372R20	240	300	32	70	35	21.0	21.0	32	118.5	8	3	10.1	20.5	5
M 12	373R12	300	--	34	70	36	23.3	13.0	34	123.5	8	3	17.7	33.7	2
M 16	373R16	300	--	34	70	36	23.3	17.0	34	123.5	8	3	16.9	32.9	2
M 20	373R20	300	--	34	70	40	23.3	21.0	34	123.5	8	3	16.0	32.0	1
M 12	374R12	400	--	38	73	40	26.0	13.0	38.5	150.5	--	4	25.6	37.4	1

Compression cable lugs, Al/Cu with Cu eye



- ▶ For non-tension connections of aluminium conductors to DIN EN 60228 and aluminium cables to DIN EN 50182
- ▶ Tube dimension to DIN 46329
- ▶ For pre-rounded sector shaped conductors
- ▶ Unique tool assignment due to coding
- ▶ Filled with contact grease for optimum crimp characteristics

Characteristics

- For connecting non-tension aluminium connections using Cu-washers in humid areas
- With Cu eyelet in screw-on area
- Easy to process due to crimp markings
- Simple cable entry due to internal chamfer

Material

- E-aluminium
- Copper (EN13600)

Surface

- Bright

Technical instructions

- Tool: see page 115

Additional information

- re = round single solid wire, rm = round multi-stranded, se = sector shaped single solid wire, sm = sector shaped multi-stranded, sector shaped conductors must be pre-rounded

Size of bolt dia.	Part No.	Nominal cross section mm ²		Code	Dimension mm						Number of crimps		Weight 100 St. ~kg Cu	Weight 100 St. ~kg total	Packing unit/pcs
		rm/sm	re/se		a	b	d1	d2	d4	l	Al (7 mm)	Al (wide)			
M 6	302R6	10	16	10	32	18	5,0	6,5	10	52	4	2	0,260	1,20	10
M 8	302R8	10	16	10	32	22	5,0	8,5	10	52	4	2	0,580	1,50	10
	303R8	16	25	12	32	22	5,8	8,5	12	52	4	2	0,600	1,95	10
M 10	303R10	16	25	12	32	25	5,8	10,5	12	52	4	2	0,600	2,00	10
M 8	304R8	25	35	12	38	22	6,8	8,5	12	60	4	2	0,625	2,00	10
	304R10	25	35	12	38	25	6,8	10,5	12	60	4	2	0,900	2,10	10
M 10	305R10	35	50	14	42	26	8,0	10,5	14	67	5	2	0,800	3,00	10
	305R12	35	50	14	42	30	8,0	13,0	14	67	5	2	1,120	3,10	10
M 10	306R10	50	70	16	45	27	9,8	10,5	16	72	5	2	0,900	3,60	10
M 12	306R12	50	70	16	45	30	9,8	13,0	16	72	5	2	1,120	3,80	10
M 10	307R10	70	95	18	55	29	11,2	10,5	18,5	86	6	3	1,075	5,60	10

see next page



Compression cable lugs, Al/Cu with Cu eye

Size of bolt dia.	Part No.	Nominal cross section mm ²		Code	Dimension mm						Number of crimps		Weight 100 St. ~kg Cu	Weight 100 St. ~kg total	Packing unit/pcs
		rm/sm	re/se		a	b	d1	d2	d4	l	Al (7 mm)	Al (wide)			
M 12	307R12	70	95	18	55	32	11,2	13,0	18,5	86	6	3	1,300	5,70	10
M 10	308R10	95	120	22	55	32	13,2	10,5	22	90	6	3	1,435	10,00	5
M 12	308R12	95	120	22	55	35	13,2	13,0	22	90	6	3	1,735	9,50	5
M 16	308R16	95	120	22	55	38	13,2	17,0	22	90	6	3	2,655	10,00	5
M 12	309R12	120	150	22	55	35	14,7	13,0	23	91	6	3	1,810	8,70	5
M 16	309R16	120	150	22	55	38	14,7	17,0	23	91	6	3	2,230	8,80	5
M 12	310R12	150	185	25	63	35	16,3	13,0	25	103	6	3	2,025	12,20	5
M 16	310R16	150	185	25	63	41	16,3	17,0	25	103	6	3	2,655	12,30	5
M 20	310R20	150	185	25	63	44	16,3	21,0	25	103	6	3	3,620	12,80	5
M 12	311R12	185	240	28	65	40	18,3	13,0	28	106	6	3	2,320	15,00	5
M 16	311R16	185	240	28	65	42	18,3	17,0	28	106	6	3	4,975	15,50	5
M 20	311R20	185	240	28	65	46	18,3	21,0	28	106	6	3	4,610	15,50	5
M 12	312R12	240	300	32	70	45	21,0	13,0	32	116	8	3	2,750	20,00	5
M 16	312R16	240	300	32	70	45	21,0	17,0	32	116	8	3	3,400	21,00	5
M 20	312R20	240	300	32	70	49	21,0	21,0	32	116	8	3	4,600	22,00	5
M 16	313R16	300	--	34	75	51	23,3	17,0	34	124	8	3	3,980	21,60	1
M 20	313R20	300	--	34	75	51	23,3	21,0	34	124	8	3	5,510	22,20	1
M 16	314R16	400	--	38	95	58	26,0	17,0	38,5	165	--	4	4,200	35,00	1
M 20	314R20	400	--	38	95	58	26,0	21,0	38,5	165	--	4	5,950	35,00	1